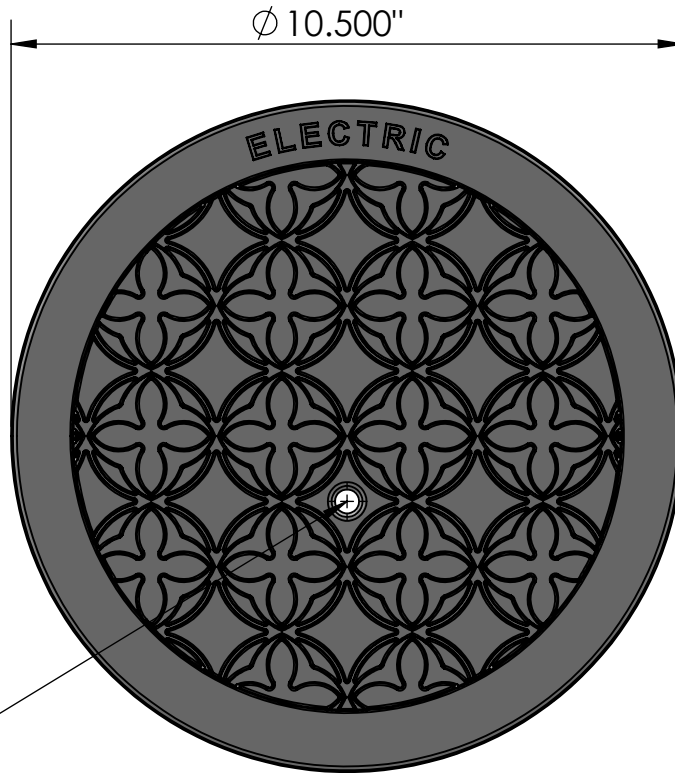
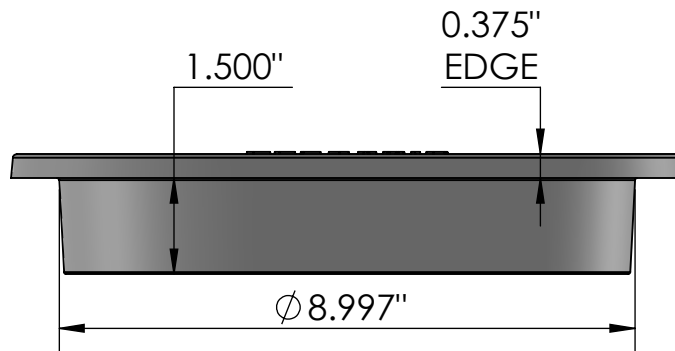


TOP VIEW
scale 1:3

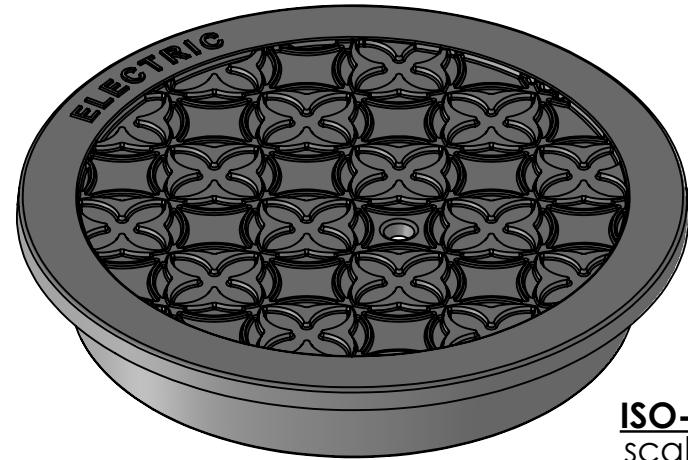


3/8" Dia.
Pick Hole

SIDE VIEW
scale 1:3



CASTING-ID
scale 1:2




ISO-VIEW
scale 1:3

NOTES:

1. Ships in pieces: 1
2. Due to casting inconsistencies, all dimensions are nominal.

Made in USA ©2021 Iron Age Designs

Quatrefoil 10" Dia. Valve Box Cover

 IRON AGE DESIGNS Telephone 206.276.0925 www.ironagegrates.com	Material: Cast Iron A48	Weight: 10.41 lbs.	Free Drain Area: N/A in/sq., or N/A %	By: MS Checked: MS Date: 6-4-24
	Finish: Raw	Edge: 0.375"	Flow Rate: N/A GPM, or N/A CuFt./sec.	© Registration: Pending Scale: NTS
	Fits: Carson® 10" Round Valve Box NDS® 10" Round Valve Box	Product ID: VAC10dia.QA	Drawing Name: 001_Quatrefoil_10.50dia Cover_ELECTRIC	