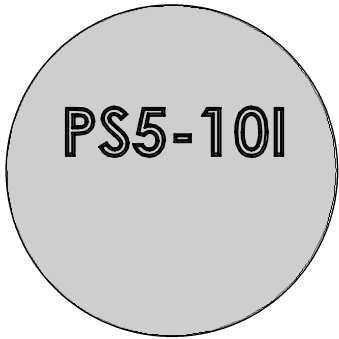
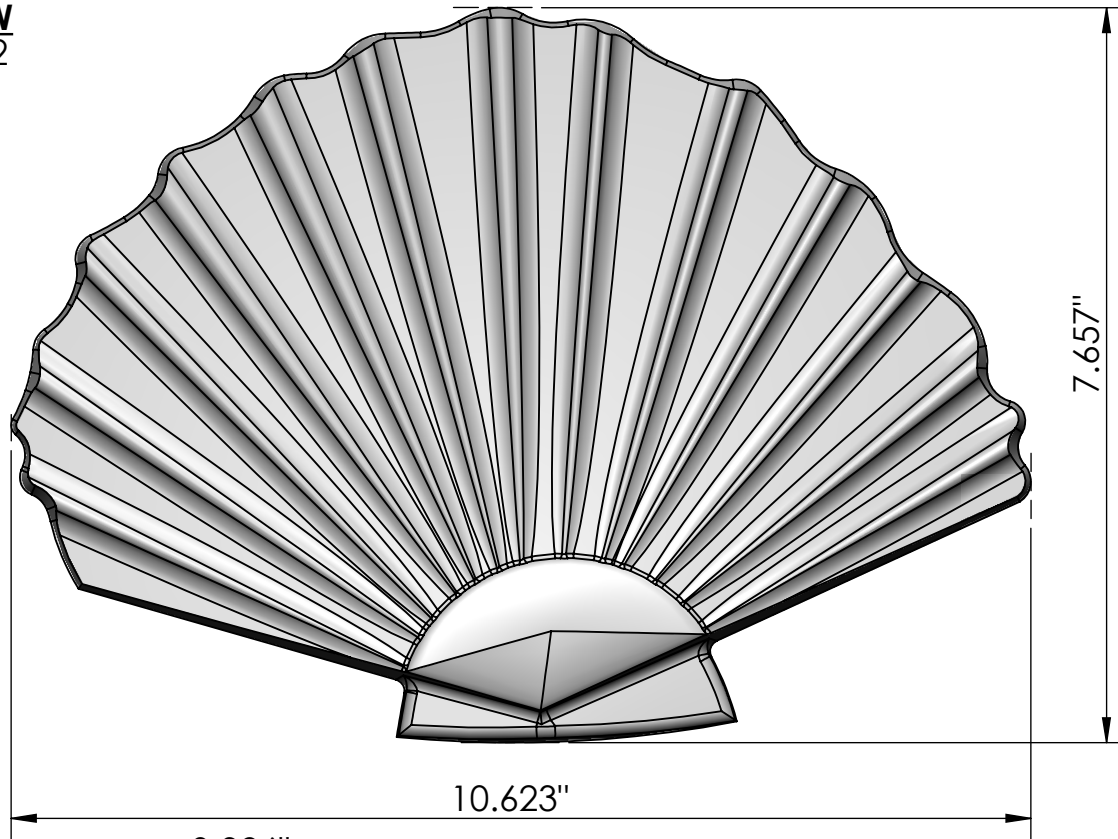
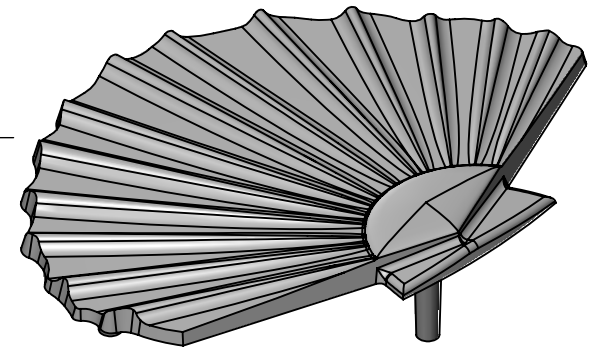
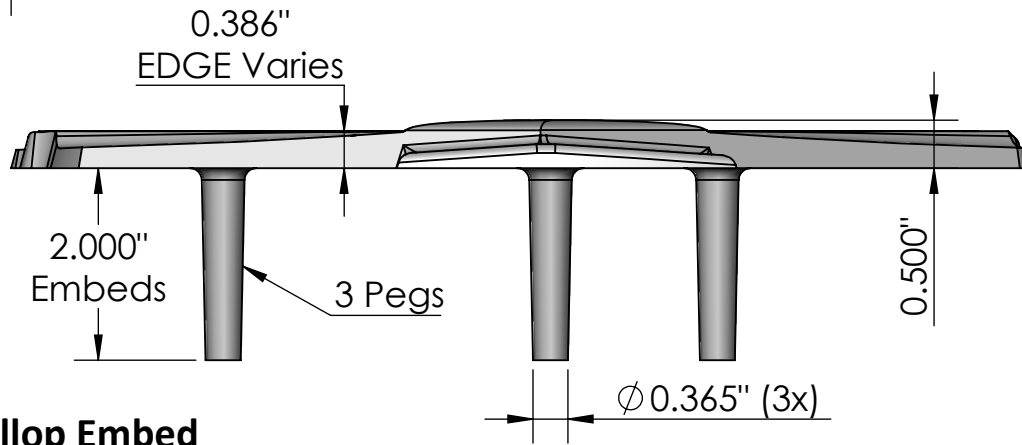


TOP VIEW
scale 1:2



CASTING-ID
scale 1:1

SIDE VIEW
scale 1:2




ISO-VIEW
scale 1:3

8" Pink Scallop Embed

NOTES:

1. Due to casting inconsistencies, all dimensions are nominal.

Made in USA ©2020 Iron Age Designs

 IRON AGE DESIGNS Telephone 206.276.0925 www.ironagegrates.com	Material: Ductile Iron 65-45-12	Weight: 4.21 lbs.	Free Drain Area: N/A in/sq., or N/A %	By: MS Checked: MS Date: 5-27-20
	Finish: Raw	Edge: 0.386"	Flow Rate: N/A GPM, or N/A CuFt./sec.	© Registration: Pending Scale: NTS
	Fits: Embedment	Product ID: PSX8-11199PL	Drawing Name: 01_PinkScallop_8"_Embed	