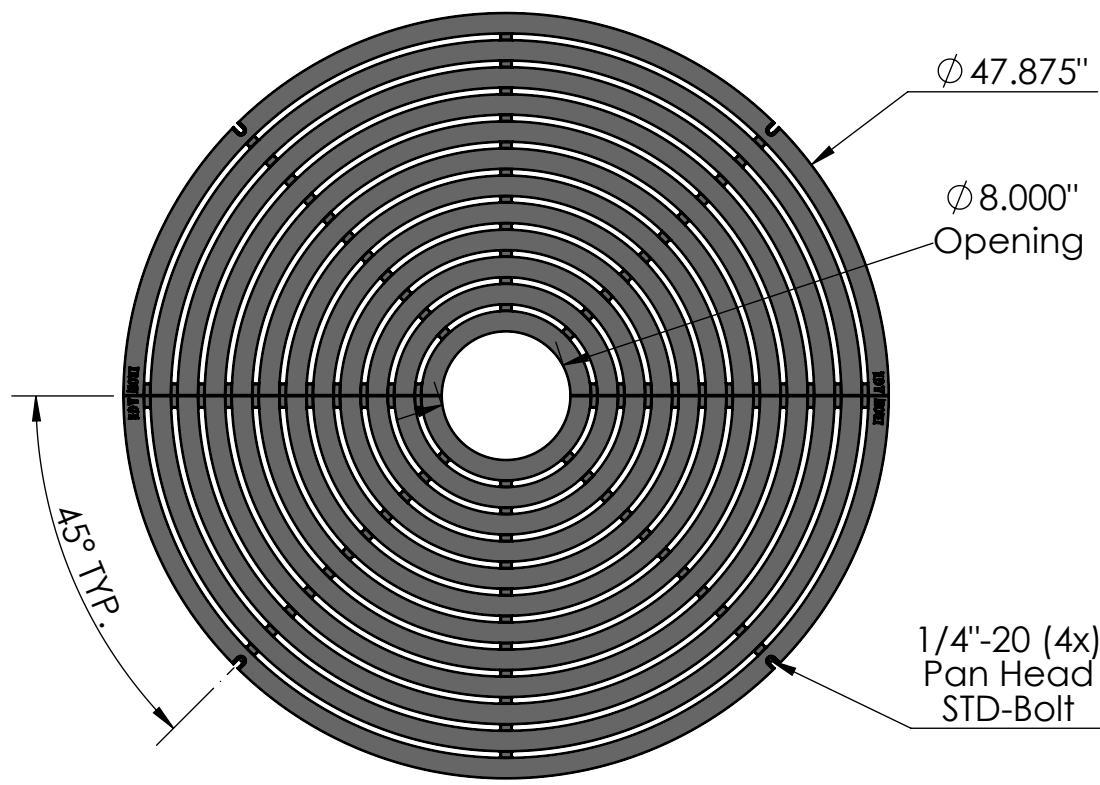


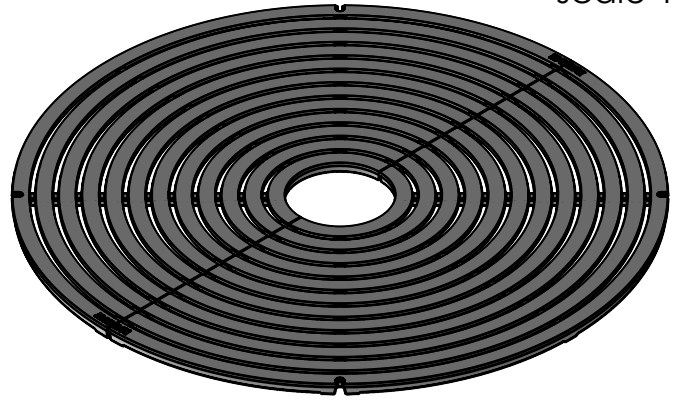
**TOP VIEW**  
scale 1:12



**CASTING-ID**  
scale 1:2



**ISO-VIEW**  
scale 1:14



**SIDE VIEW**  
scale 1:12



**NOTES:**

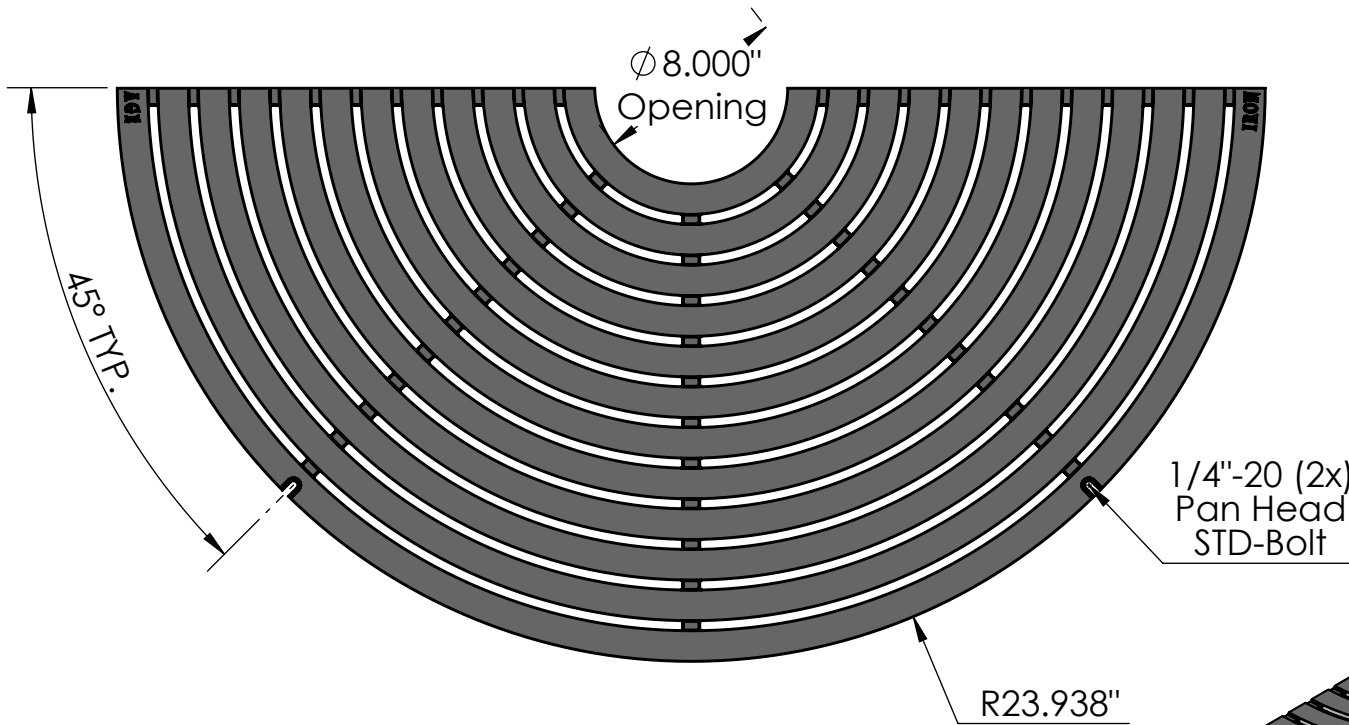
1. ADA Compliant: No thru openings greater than 1/2".
2. Pieces per Set: 2
3. Due to casting inconsistencies, all dimensions are nominal.
4. Center Opening Options:  
Cast at 8", Breakouts at 11.38", 14.78", 18.16", 21.54" & 24.92".
5. Pedestrian Load Only.

Made in USA ©2022 Iron Age Designs

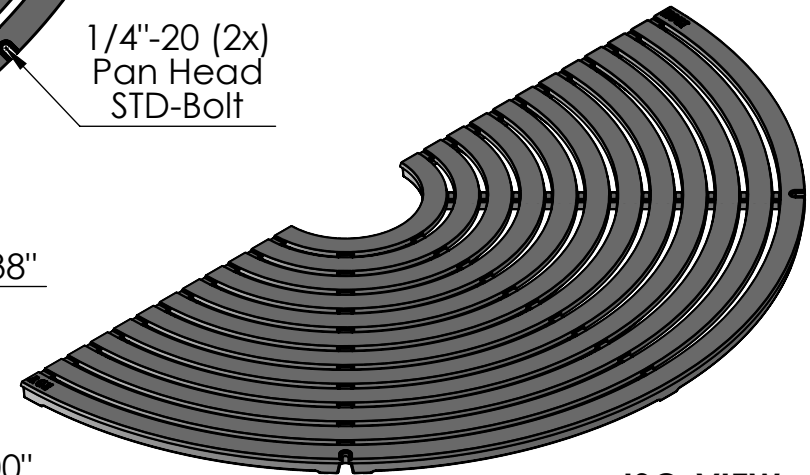
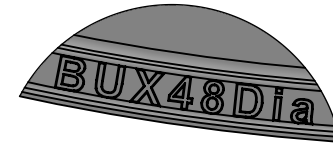
**Bullseye 4' Dia. Tree Grate**

<p><b>IRON AGE DESIGNS</b> Telephone 206.276.0925 www.ironagegrates.com</p>	<b>Material:</b> Cast Aluminum 356-T6	<b>Weight:</b> 60.64 lbs.	<b>Free Drain Area:</b> 330.46 in/sq. or 18.89 %	<b>By:</b> MS <b>Checked:</b> MS <b>Date:</b> 5-27-22
	<b>Finish:</b> Raw	<b>Edge:</b> 1.000"	<b>Flow Rate:</b> 432.90 GPM	<b>© Registration:</b> Pending <b>Scale:</b> NTS
	<b>Fits:</b> Iron Age Custom Frame SOLD SEPARATELY	<b>Product ID:</b> BUX48DiaA99TG	<b>Drawing Name:</b> 01_BUL_I_48Dia_TreeGrate_Comp_Aluminum356T-6	

**TOP VIEW**  
scale 1:8



**CASTING-ID**  
scale 1:2



**ISO-VIEW**  
scale 1:8

**SIDE VIEW**  
scale 1:8




**NOTES:**

1. ADA Compliant: No thru openings greater than 1/2".
2. Due to casting inconsistencies, all dimensions are nominal.
3. Pedestrian Load Only.

Made in USA ©2022 Iron Age Designs

**Bullseye 4' Dia. Tree Grate - Half Panel**

 <b>IRON AGE DESIGNS</b> Telephone 206.276.0925 www.ironagegrates.com	<b>Material:</b> Cast Aluminum 356-T6	<b>Weight:</b> 30.32 lbs.	<b>Free Drain Area:</b> 165.23 in/sq. or 18.89 %	<b>By:</b> MS <b>Checked:</b> MS <b>Date:</b> 5-27-22
	<b>Finish:</b> Raw	<b>Edge:</b> 1.000"	<b>Flow Rate:</b> 216.45 GPM	<b>© Registration:</b> Pending <b>Scale:</b> NTS
	<b>Fits:</b> Iron Age Custom Frame SOLD SEPARATELY	<b>Product ID:</b> BUX48DiaA99TG	<b>Drawing Name:</b> 01_XXX_I_48x48_TreeGrate_Aluminum356T-6	