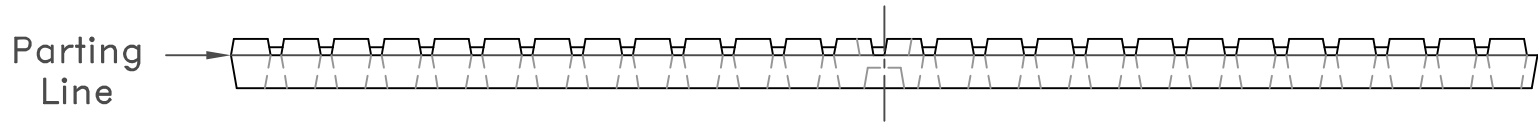
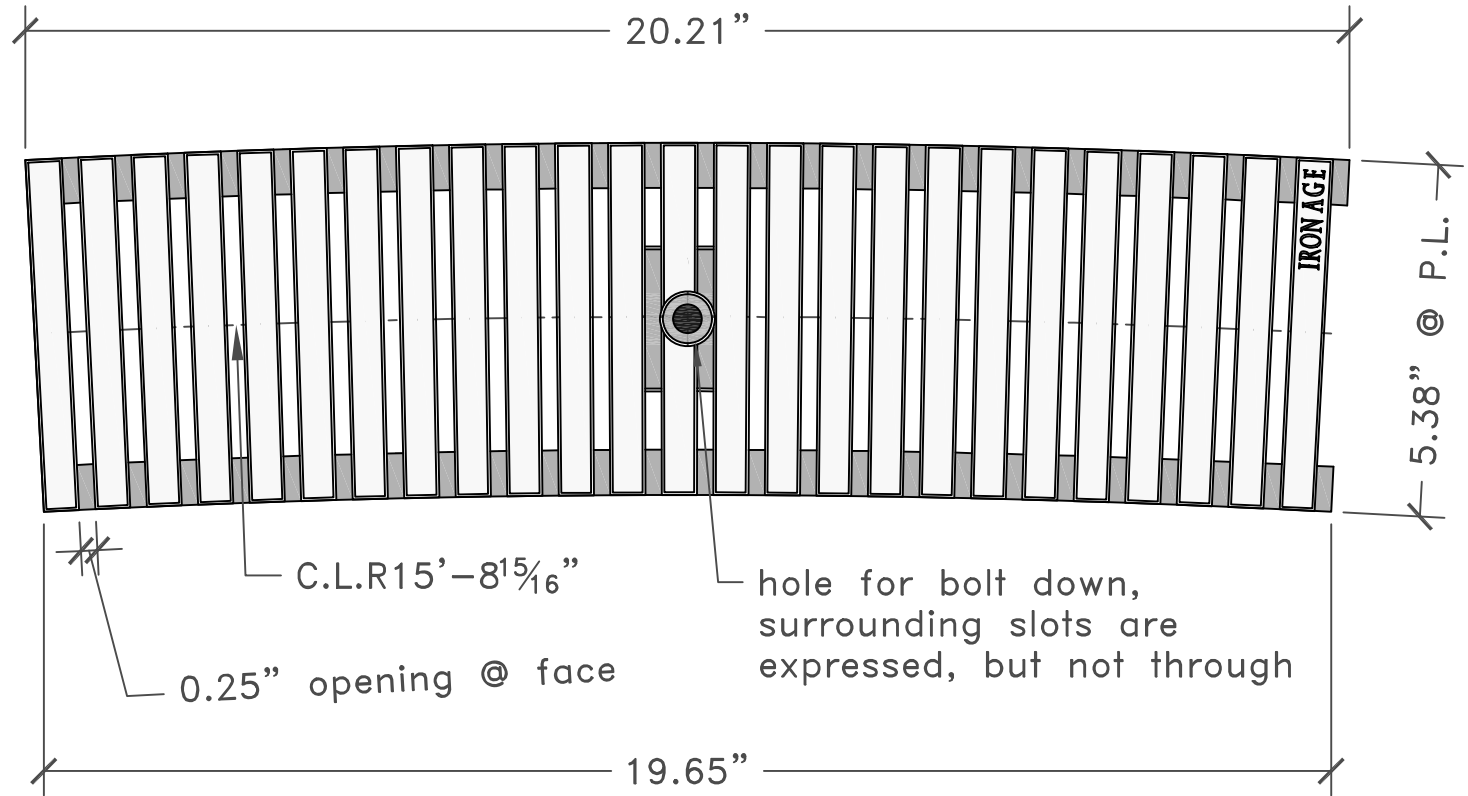
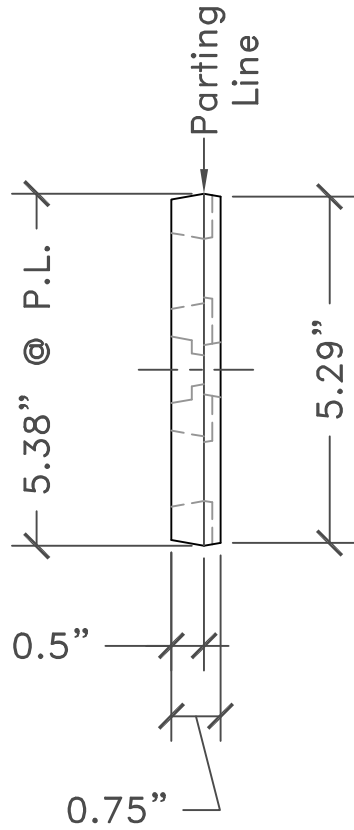


END



ELEVATION



IRON AGE
DESIGNS

2104 SW 152nd St. #4 TEL 206.276.0925
Burien, WA 98166 FAX 206.257.0318
www.ironagedesigns.com

NOTES:

1. Material: cast iron
2. Natural finish
3. Edge thickness: 3/4"
4. Fits custom frames by Iron Age®
5. No openings greater than 1/4"
6. Due to casting inconsistencies, all dimensions are nominal.

Regular Joe 5" Trench Grate
15'-9" C.L.R.

drawing no. C-0711.01

drawn by: DO
scale: NTS
date: 07/27/07

© 2007 Iron Age Designs