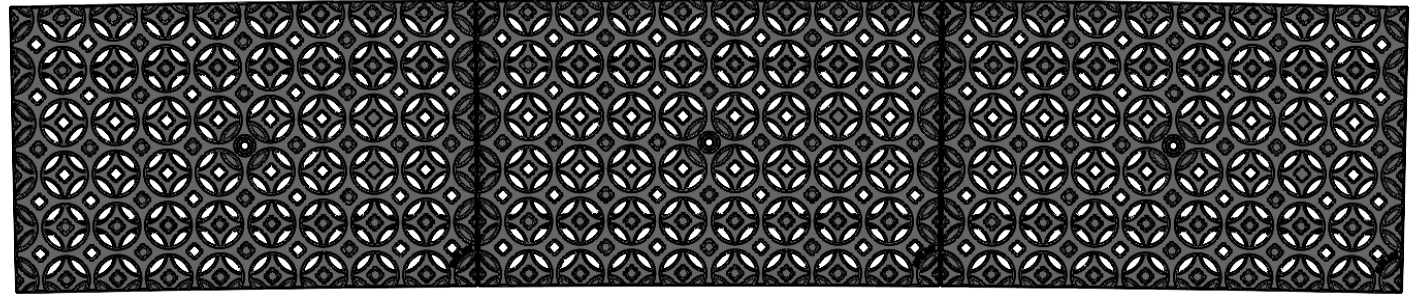
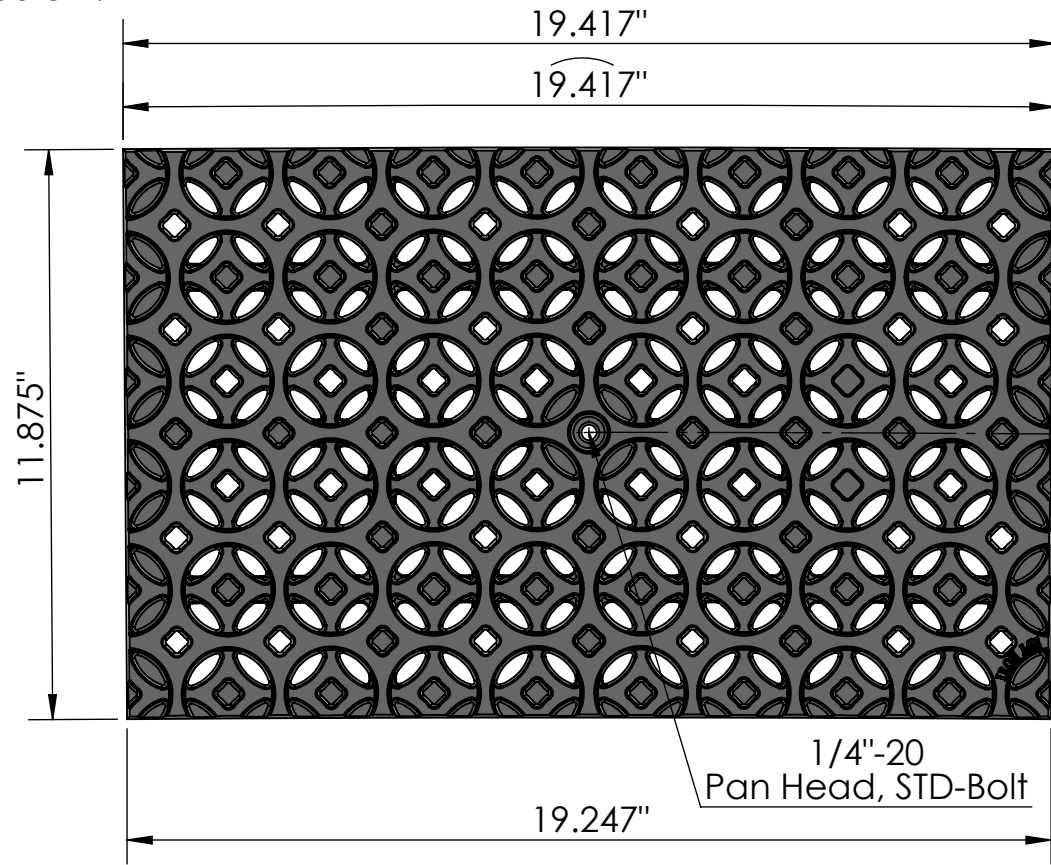


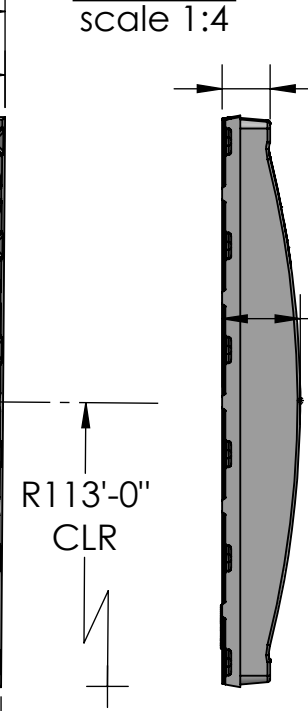
3 ARRAY
scale 1:8



TOP VIEW
scale 1:4



END VIEW
scale 1:4



CASTING-ID
scale 1:2




ISO-VIEW
scale 1:8

NOTES:

1. ADA Compliant: No thru openings greater than 1/2".
2. Ships in pieces: 1
3. Due to casting inconsistencies, all dimensions are nominal.

Made in USA ©2019 Iron Age Designs

Interlaken 12" x 20" Trench Grate - Heavy Duty
113'0" C.L.R.

 IRON AGE DESIGNS Telephone 206.276.0925 www.ironagegrates.com	Material: Ductile Iron 65-45-12	Weight: 27.51 lbs.	Free Drain Area: 36.47 in/sq., or 15.88 %	By: MS	Checked: MS	Date: 1-10-24
	Finish: Raw	Edge: 1.000"	Flow Rate: 47.78 GPM, or .106 CuFt./sec.	© Registration: Pending		Scale: NTS
	Fits: Iron Age Custom Frame	Product ID: IX12-19I99113HD	Drawing Name: 02_INT_I_12x113'CLR_HD_TrenchGrate_Iron			