

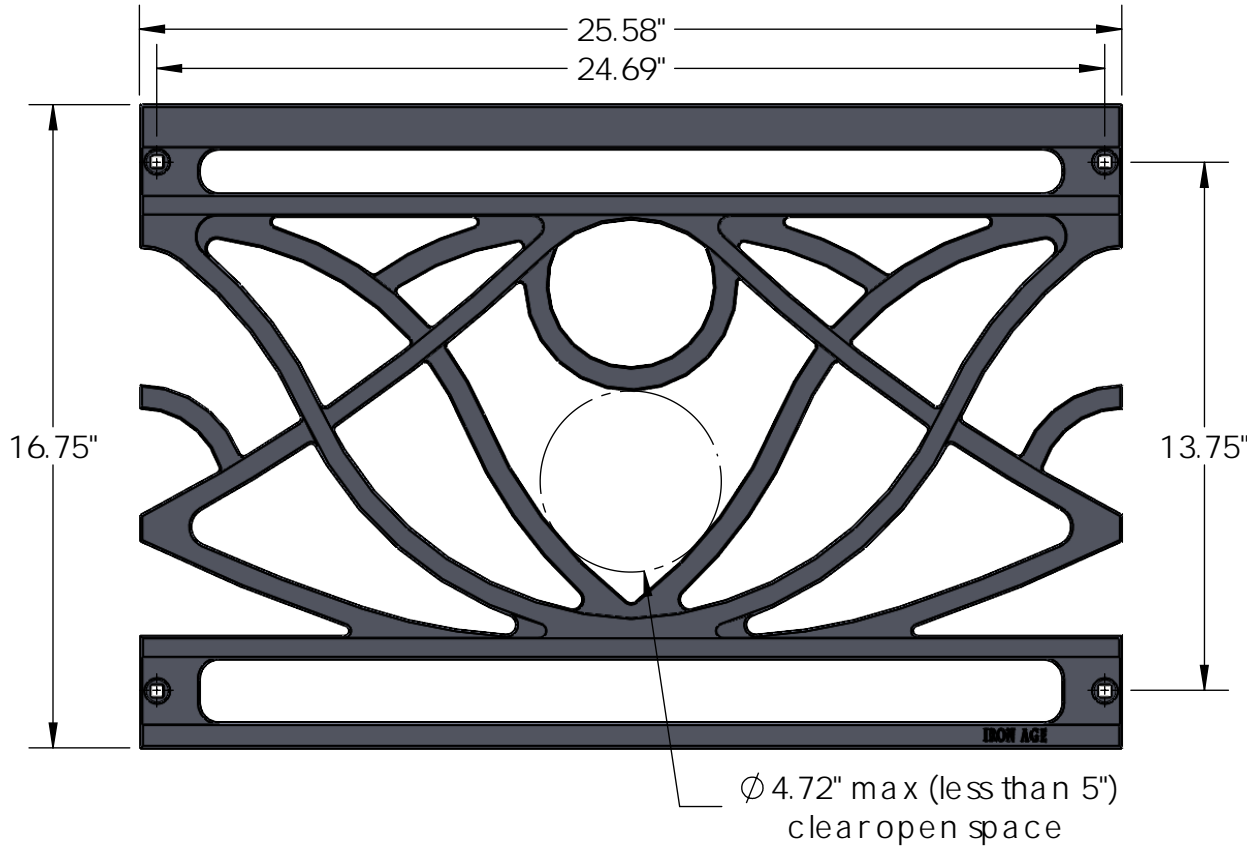
**TOP VIEW**

scale 1:5



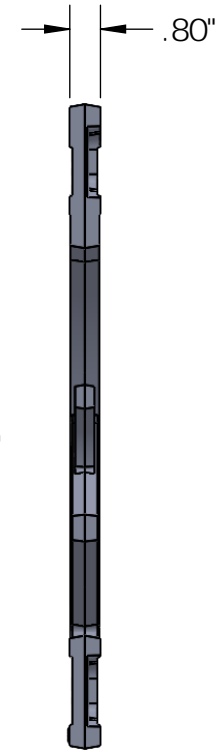
**SIDE VIEW**

scale 1:5



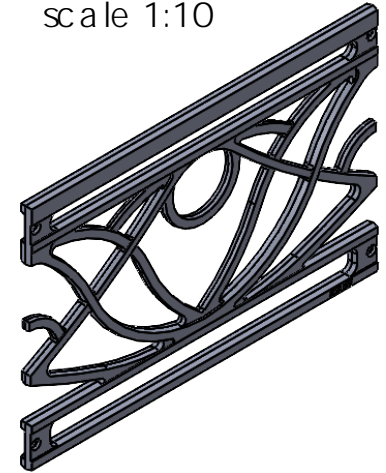
**EDGE VIEW**

scale 1:5



**ISO-VIEW**

scale 1:10




**NOTES:**

- 1. Pieces per Set: 1
- 2. Due to casting inconsistencies, all dimensions are nominal.

**Belle Planter Fence - Panel**

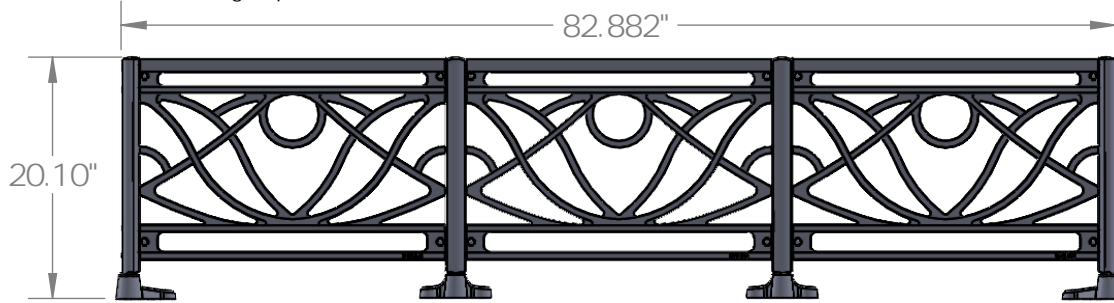
Made in USA

© 2024 Iron Age Designs

 <b>IRON AGE</b> <b>DESIGNS</b> Telephone 206.276.0925 www.ironagegrates.com	Material:	Ductile CL80 or better	Weight:	28.2 lbs		N/A	By:	MS	Checked:	MS	Date:	3-10-25
	Finish:	Powdercoat - Color TBD	Edge:	0.80"		N/A	© Registration:	VA 2-159-915	Scale:	NTS		
	Fits:	Site Work by Others	Product ID:	BOFP	Drawing Name:	001_Belle_Planter_Fence_Panel						

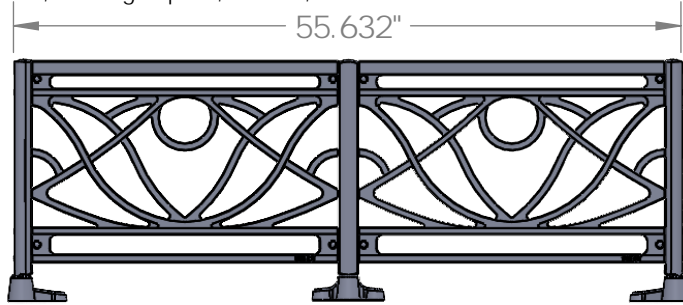
**Long Sides**

3 Panels, 2 straight posts, 12 bolts, 2 bolt-feet ea. Run



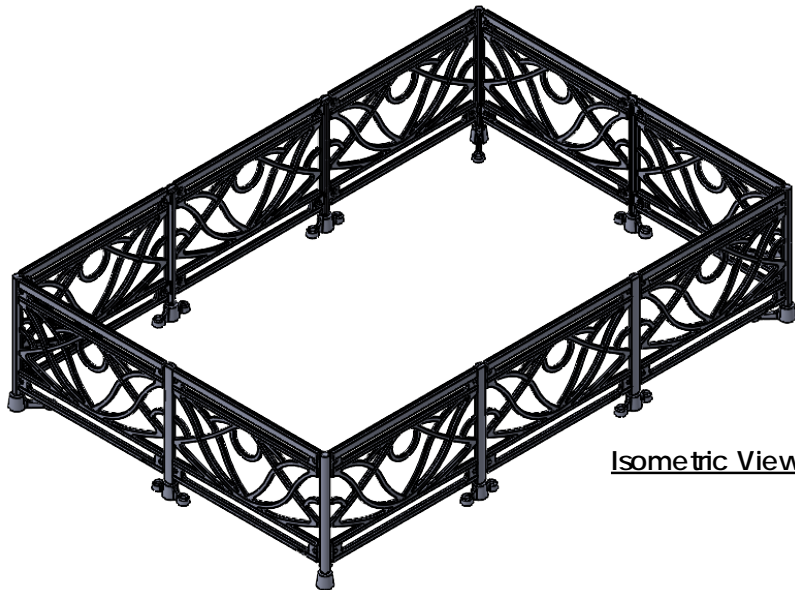
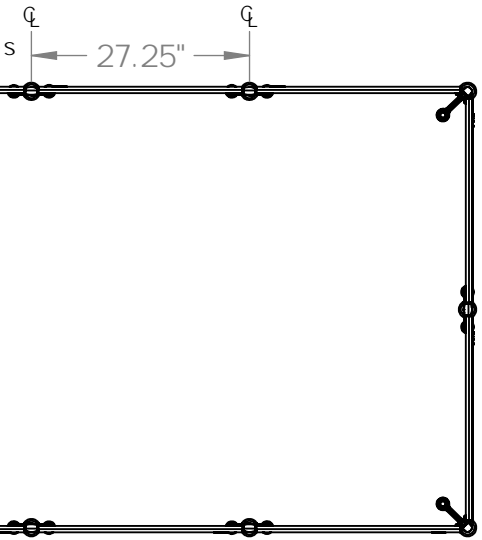
**Short Sides**

2 Panels, 1 straight post, 8 bolts, 1 bolt-foot ea. Run

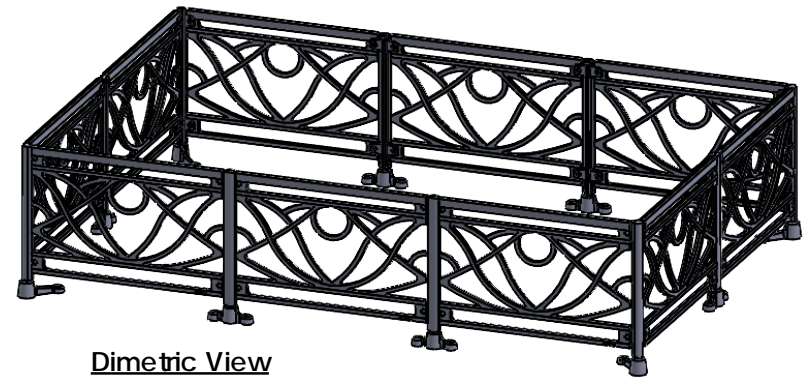


**Plan View**

Qty 32x Assemblies



Isometric View




Dimetric View

**NOTES:**

1. Array to include: 30 Cast Pieces & 40x Included Hardware Sets
2. Due to casting inconsistencies, all dimensions are nominal.

Made in USA © 2024 Iron Age Designs

 <b>IRON AGE DESIGNS</b> Telephone 206.276.0925 www.ironagegrates.com	Material:	Ductile CL80 or better	Weight:	N/A lbs	Free Drain Area:	N/A in/sq. or N/A %	By:	MS	Checked:	MS	Date:	3-10-25
	Finish:	Powdercoat - Color TBD	Edge:	Ductile CL80 or better	FlowRate:	N/A GPM N/A	© Registration:	VA 2-159-915	Scale:	NTS		
	Fits:	Site Work by Others	Product ID:	Varies	Drawing Name:	O01_Bell_Planter_Fence						