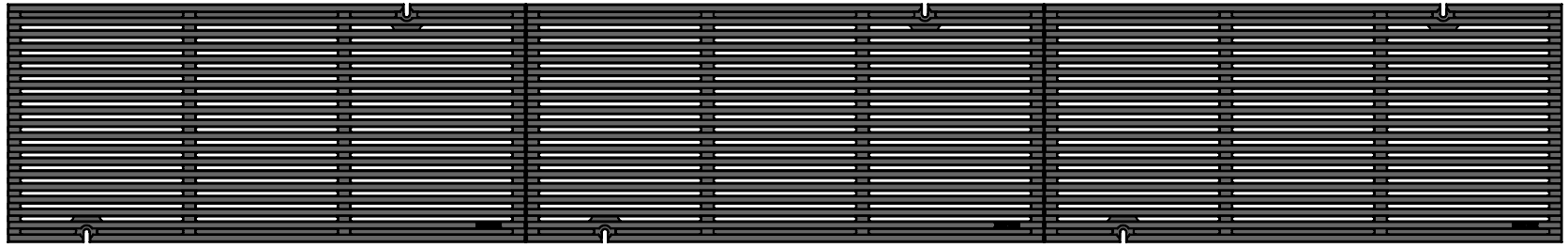
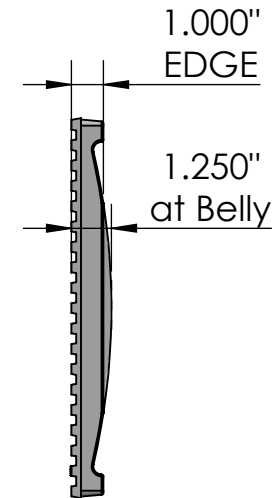
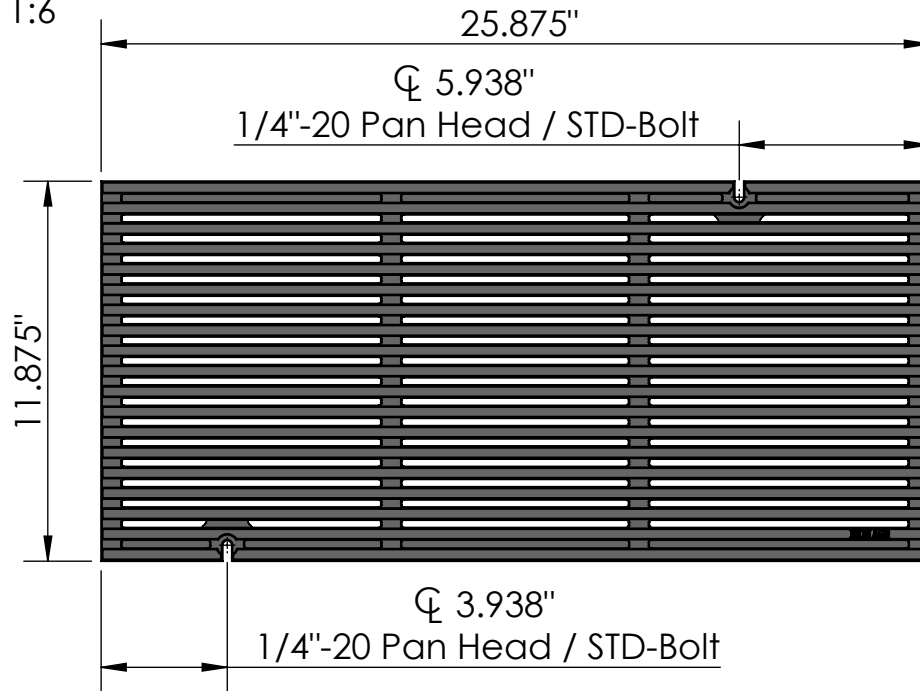


3 ARRAY
scale 1:9



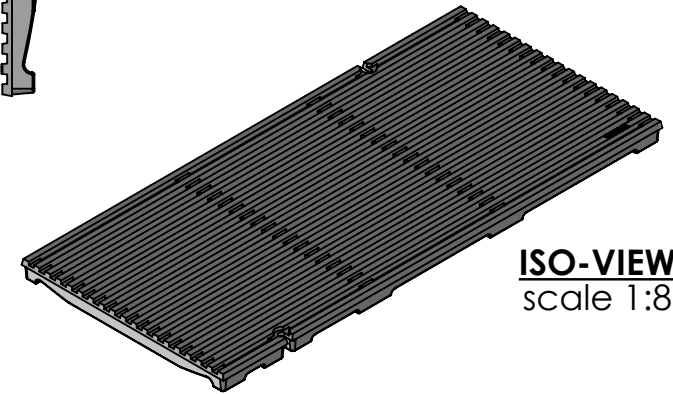
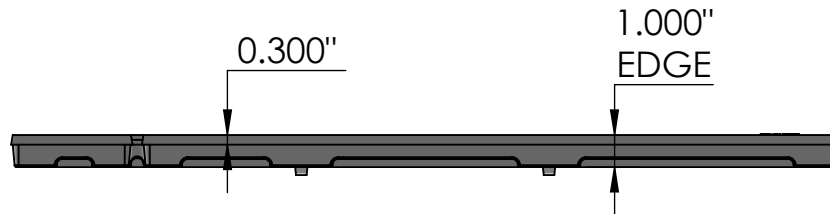
TOP VIEW
scale 1:6



CASTING-ID
scale 1:2



SIDE VIEW
scale 1:6




ISO-VIEW
scale 1:8

NOTES:

1. Heelproof: No thru openings greater than 1/4".
2. Ships in pieces: 1
3. Due to casting inconsistencies, all dimensions are nominal.

Made in USA ©2018 Iron Age Designs

Que 12" x 26" Trench Grate - Heel Proof - Heavy Duty

 IRON AGE DESIGNS Telephone 206.276.0925 www.ironagegrates.com	Material: Ductile Iron 65-45-12	Weight: 30.96 lbs.	Free Drain Area: 85.49 in/sq., or 27.82 %	By: MS Checked: MS Date: 11-30-21
	Finish: Raw	Edge: 1.000"	Flow Rate: 112.00 GPM, or .249 CuFt./sec.	© Registration: Pending Scale: NTS
	Fits: Iron Age Custom Frames SOLD SEPARATELY	Product ID: QUX12-26I99HPHD	Drawing Name: 02_QUE_I_12x26HPHD_TrenchGrate_Iron	