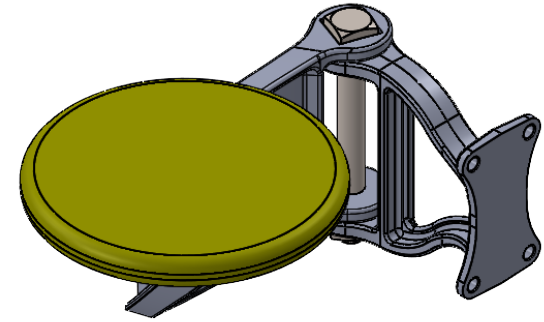
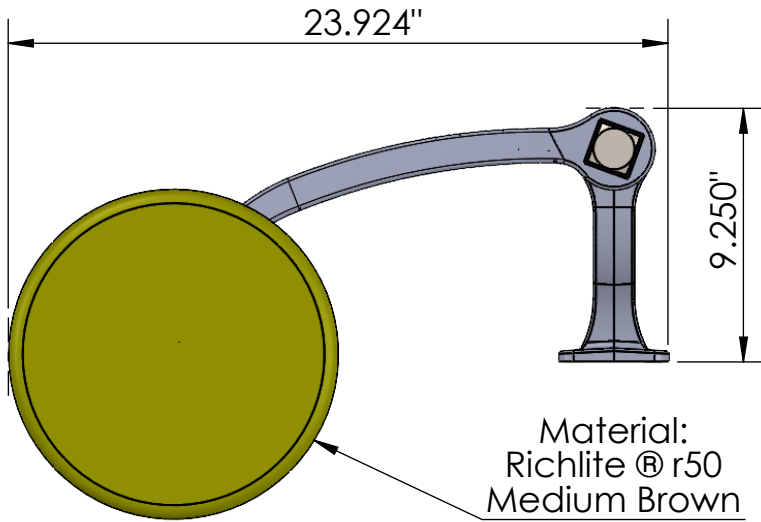
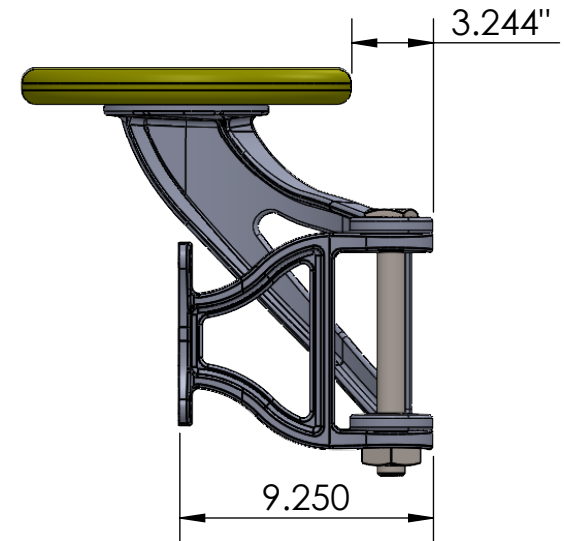
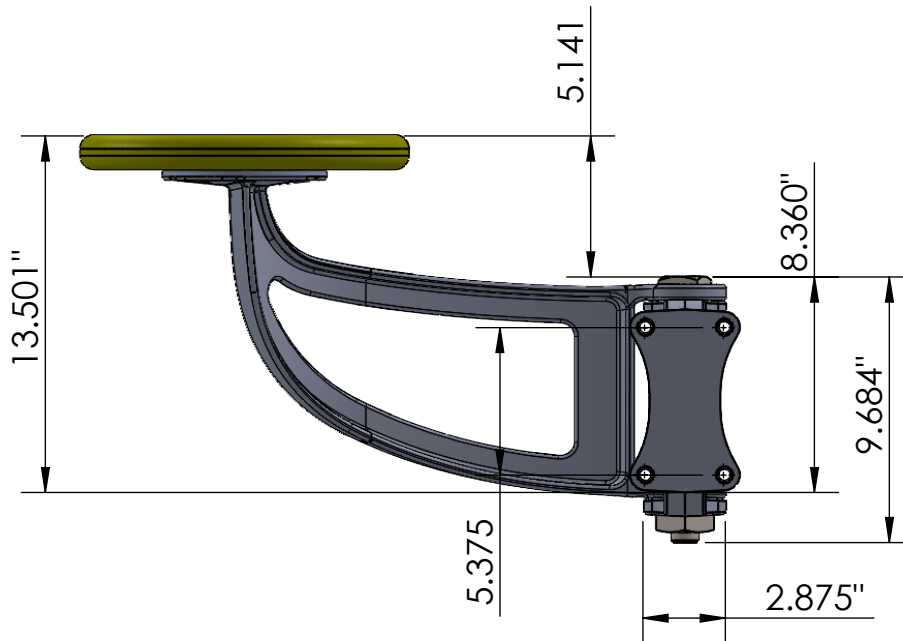


**TOP VIEW**  
scale 1:8



Material:  
Richlite ® r50  
Medium Brown

**SIDE VIEW**  
scale 1:8




**Swing Arm Seat - Right Hand Swing**

**NOTES:**

1. Pieces per Set: 4
2. Due to casting inconsistencies, all dimensions are nominal.

Made in USA ©2012 Iron Age Designs

 <b>IRON AGE DESIGNS</b> Telephone 206.276.0925 www.ironagegrates.com	Material: Ductile Iron 65-45-12	Weight: 22.50 lbs.	Free Drain Area: N/A in/sq. or N/A %	By: RJ	Checked: MS	Date: 6-5-24
	Finish: Raw	Edge: N/A	Flow Rate: N/A GPM	© Registration: VA 2-007-103		Scale: NTS
	Fits: N/A	Product ID: MCSRIGHT	Drawing Name: 01_SwingArm_Right			