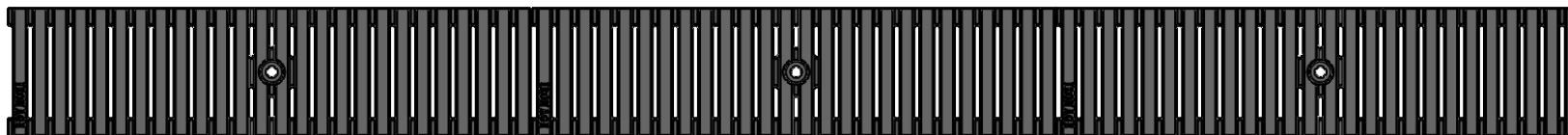
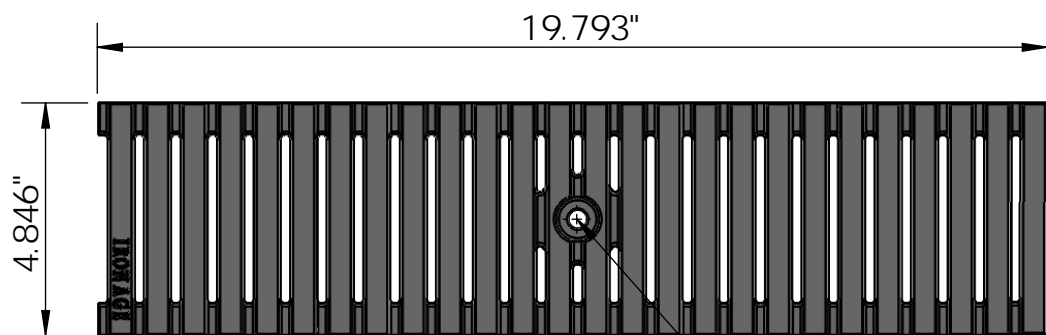


3 ARRAY
scale 1:7

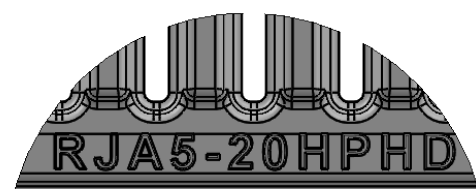
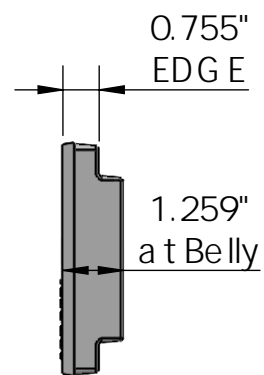


TOP VIEW
scale 1:4

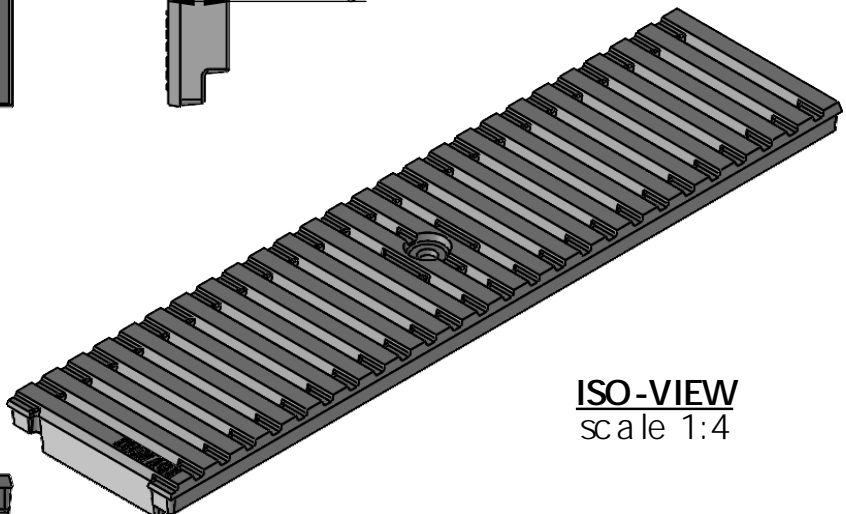
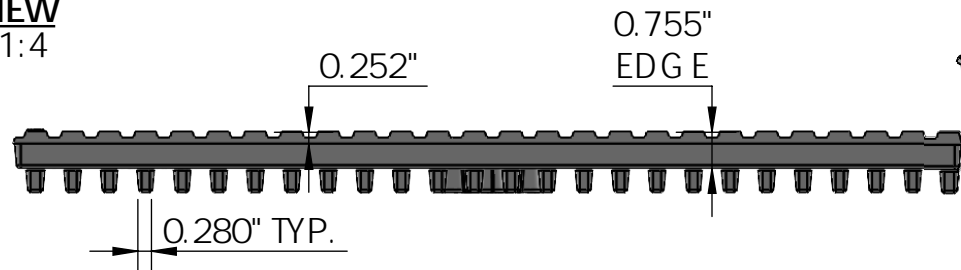


5/16"-18
Pan Head
STD-Bolt

CASTING-ID
scale 1:2



SIDE VIEW
scale 1:4




ISO-VIEW
scale 1:4

NOTES:

1. Heelproof: No thru openings greater than 1/4".
2. Ships in pieces: 1
3. Due to casting inconsistencies, all dimensions are nominal.

Made in USA © 2007 Iron Age Designs

Regular Joe 5' x 20' Trench Grate - Heel Proof - Heavy Duty

 IRON AGE DESIGNS Telephone 206.276.0925 www.ironagegrates.com	Material: Cast Ductile 65-45-12	Weight: 16.03 lbs.	Free Drain Area: 16.06 in./sq., or 16.75 %	By: MS	Checked: MS	Date: 3-10-25
	Finish: Raw	Edge: 0.750"	Flow Rate: 21.05 GPM, or .046 CuFt./sec.	© Registration: Pending		Scale: NTS
	Fits: ACO®K100	Product ID: RJA52Q121HPHD	Drawing Name: 001_JOE_5x20_HP HD_TrenchGrate_Iron			