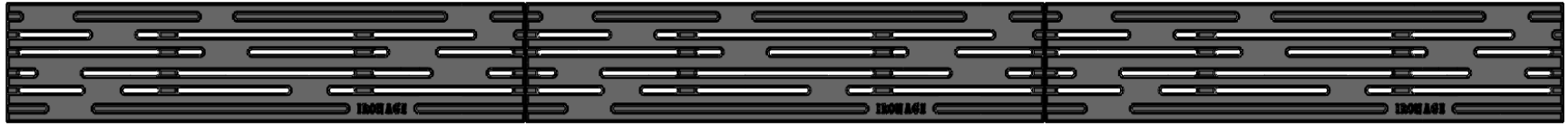


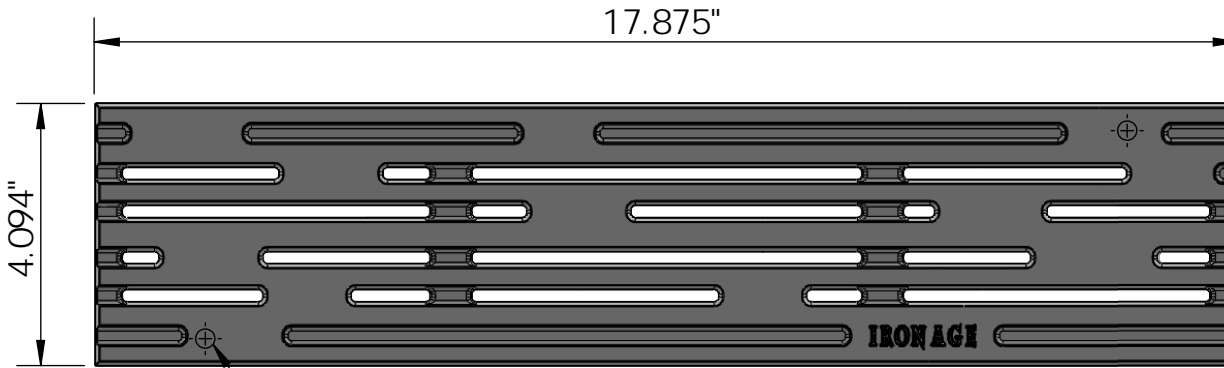
**3 ARRAY**

scale 1:6



**TOP VIEW**

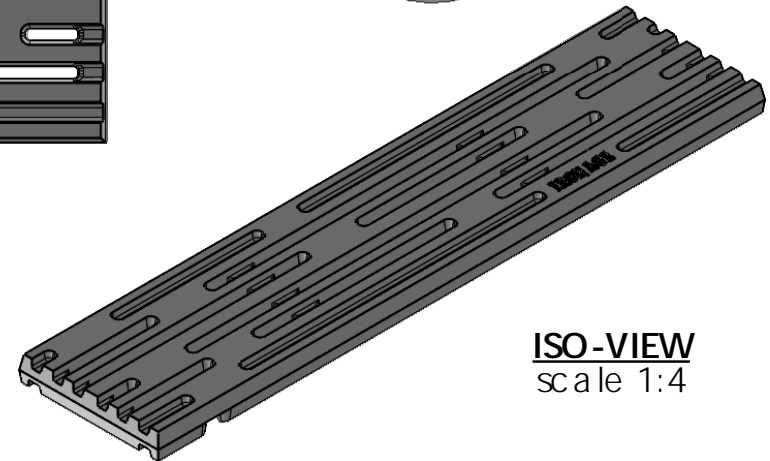
scale 1:3



Drill Point (2x)  
on Back  
Opp. Corner

**CASTING-ID**

scale 1:2



**ISO-VIEW**

scale 1:4

**SIDE VIEW**

scale 1:3




**NOTES:**

1. Heelproof: No thru openings greater than 1/4".
2. Ships in pieces: 1
3. Due to casting inconsistencies, all dimensions are nominal.

Made in USA © 2025 Iron Age Designs

**Rain 4" x 18' Trench Grate - Heel Proof**

 <b>IRON AGE DESIGNS</b> Telephone 206.276.0925 www.ironagegrates.com	Material: Ductile Iron 65-45-12	Weight: 8.00 lbs.	Free Drain Area: 9.33 in/sq., or 12.75 %	By: MS	Checked: MS	Date: 3-5-25
	Finish: Raw	Edge: 0.750"	Flow Rate: 12.22 GPM, or .027 CuFt./sec.	© Registration: Pending		Scale: NTS
	Fits NDS®Speed-D®Channel SOLD SEPARATELY	Product ID: RNN4-1802HP	Drawing Name: 01_RAI_N_4x18HP_TrenchGrate_Iron			