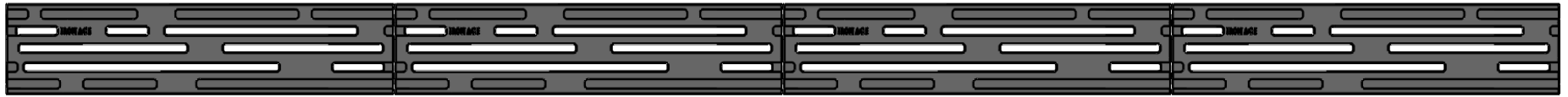
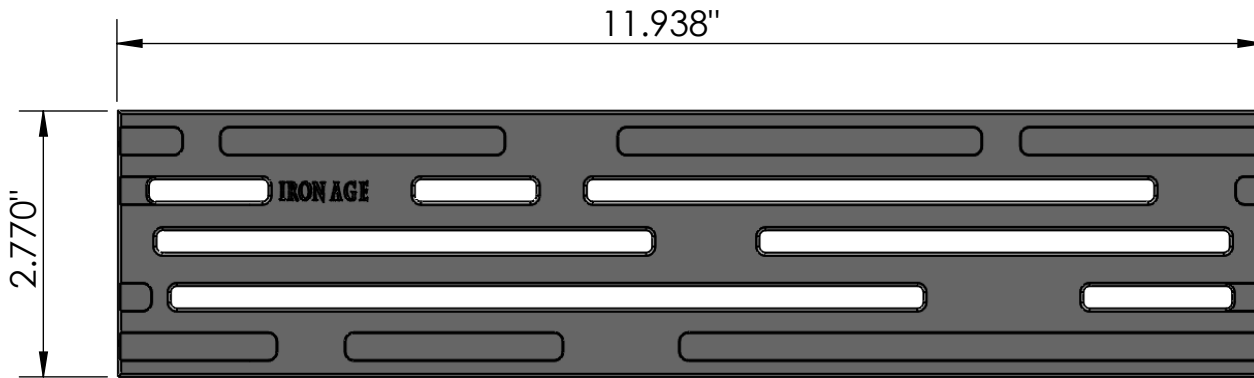


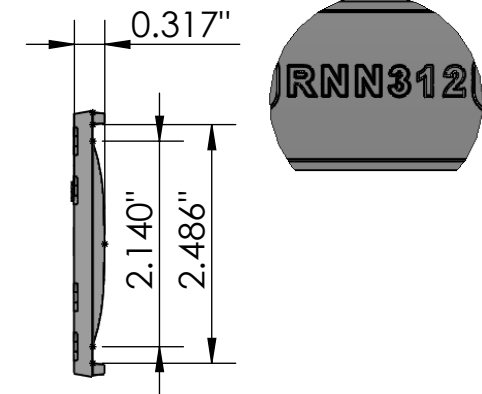
4 ARRAY
scale 1:5



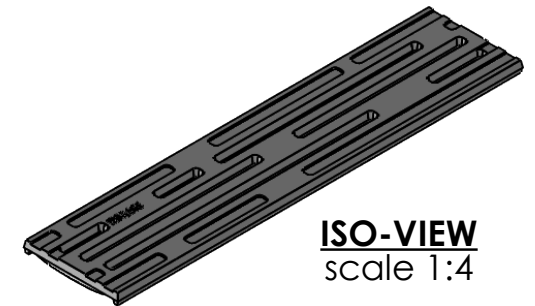
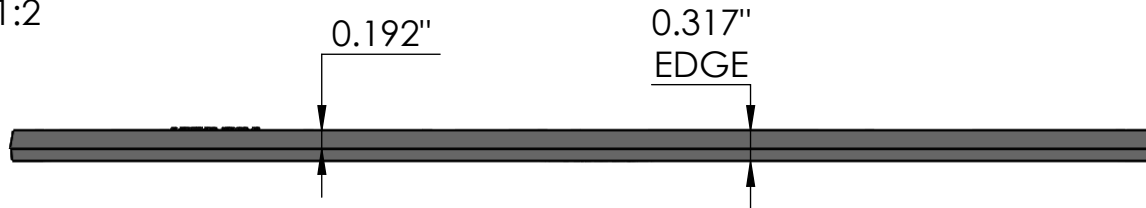
TOP VIEW
scale 1:2



CASTING-ID
scale 1:1



SIDE VIEW
scale 1:2



ISO-VIEW
scale 1:4

NOTES:

1. Heelproof: No thru openings greater than ¼".
2. Ships in 1 piece.
3. Due to casting inconsistencies, all dimensions are nominal.
4. Pedestrian Load Only.

Rain 3" x 12" Heel Proof Trench Grate

©2016 Iron Age Designs



Material: Cast Ductile Iron 65-45-12	Weight: 1.57 lbs.	Free Drain Area: 6.38 in/sq.	19.31 %	By: MS	Checked: MS	Date: 10-12-23
Finish: Raw	Edge: .317"	Flow Rate: 8.36 GPM	.018 CuFt/Sec	© Registration: VA 2-112-756		Scale: NTS
Fits: NDS® Mini Channel	Product ID: RNN3-12I01HP	Drawing Name: 02_RAI_N_3x12_HP_TrenchGrate_Iron_India				