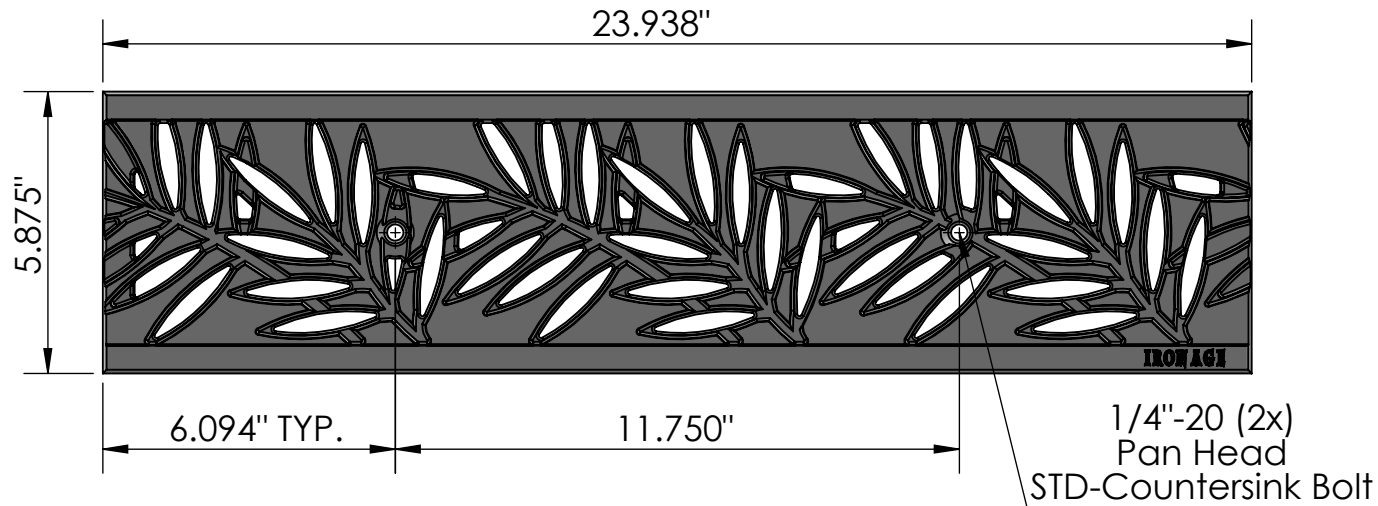


3 ARRAY
scale 1:8



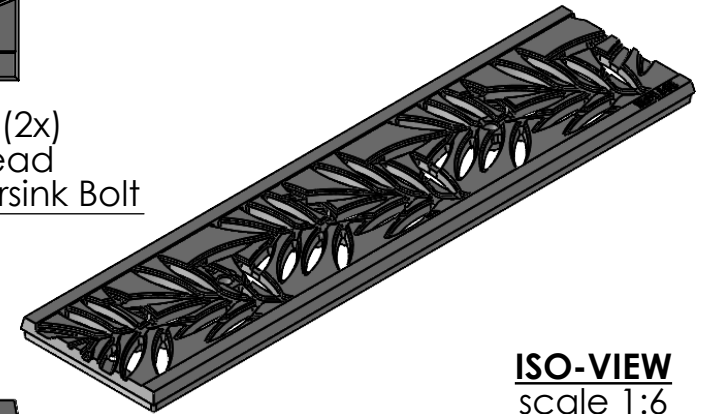
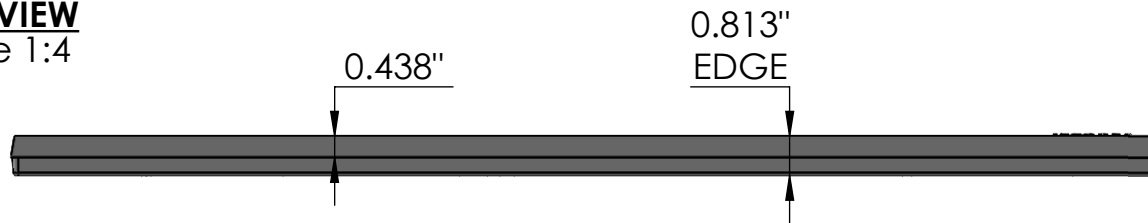
TOP VIEW
scale 1:4



CASTING-ID
scale 1:2



SIDE VIEW
scale 1:4




ISO-VIEW
scale 1:6

NOTES:

1. ADA Compliant: No thru openings greater than 1/2".
2. Ships in pieces: 1
3. Due to casting inconsistencies, all dimensions are nominal.

Made in USA ©2006 Iron Age Designs

Locust 6" x 24" Trench Grate

| | | | | |
|--|--|---------------------------------|---|---|
|  IRON AGE DESIGNS Telephone 206.276.0925 www.ironagegrates.com | Material: Ductile Iron 65-45-12 | Weight: 13.97 lbs. | Free Drain Area: 24.75 in/sq., or 17.60 % | By: MS Checked: MS Date: 3-22-21 |
| | Finish: Raw | Edge: 0.8125" | Flow Rate: 32.43 GPM, or .072 CuFt./sec. | © Registration: VA 2-007-100 Scale: NTS |
| | Fits: NDS® NDS® Dura Slope® | Product ID: LN6-24I03 | Drawing Name: 07_LOC_N_6x24_TrenchGrate_Iron | |