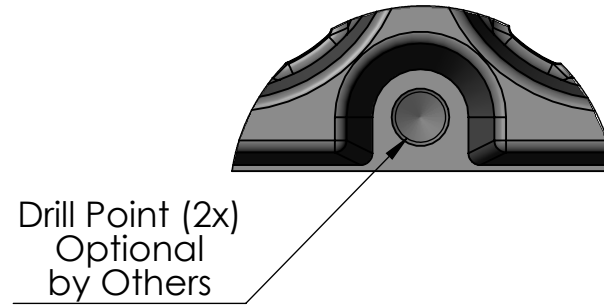
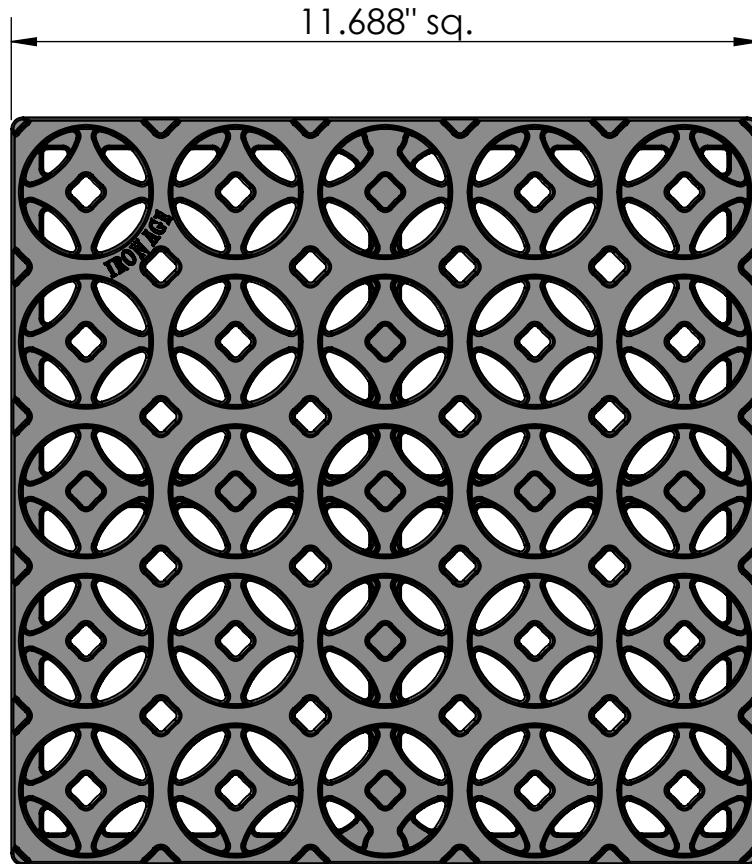
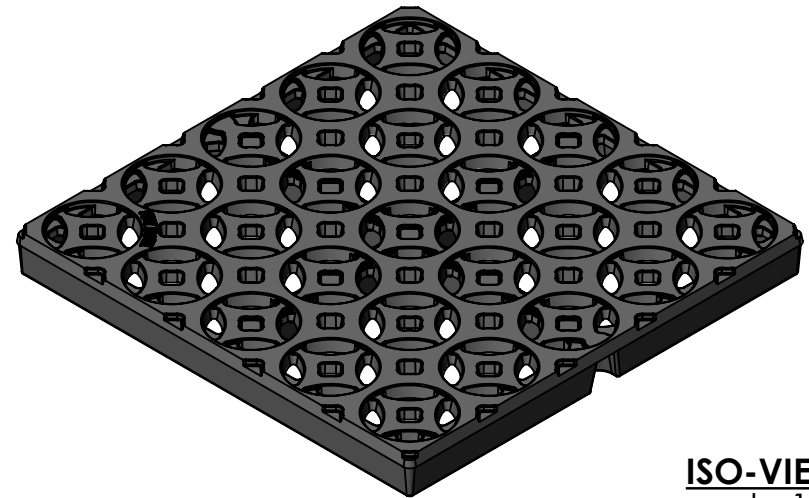


**TOP VIEW**  
scale 1:3



**CASTING-ID**  
scale 1:2



**ISO-VIEW**  
scale 1:4

**SIDE VIEW**  
scale 1:3




**NOTES:**

1. ADA Compliant: No thru openings greater than ½".
2. Ships in pieces: 1
3. Due to casting inconsistencies, all dimensions are nominal.

Made in USA ©2007 Iron Age Designs

**Interlaken 12" x 12" Catch Basin Grate**

 <b>IRON AGE DESIGNS</b> Telephone 206.276.0925 www.ironagegrates.com	<b>Material:</b> Ductile Iron 65-45-12	<b>Weight:</b> 13.50 lbs.	<b>Free Drain Area:</b> 29.13 in/sq., or 21.32 %	<b>By:</b> MS <b>Checked:</b> MS <b>Date:</b> 6-4-24
	<b>Finish:</b> Raw	<b>Edge:</b> 1.125"	<b>Flow Rate:</b> 38.16 GPM, or .084 CuFt./sec.	<b>© Registration:</b> VA 2-007-090 <b>Scale:</b> NTS
	<b>Fits:</b> NDS® 1200 Series	<b>Product ID:</b> IN12-12112	<b>Drawing Name:</b> 02_INT_N_12x12_CatchBasinGrate_Iron	