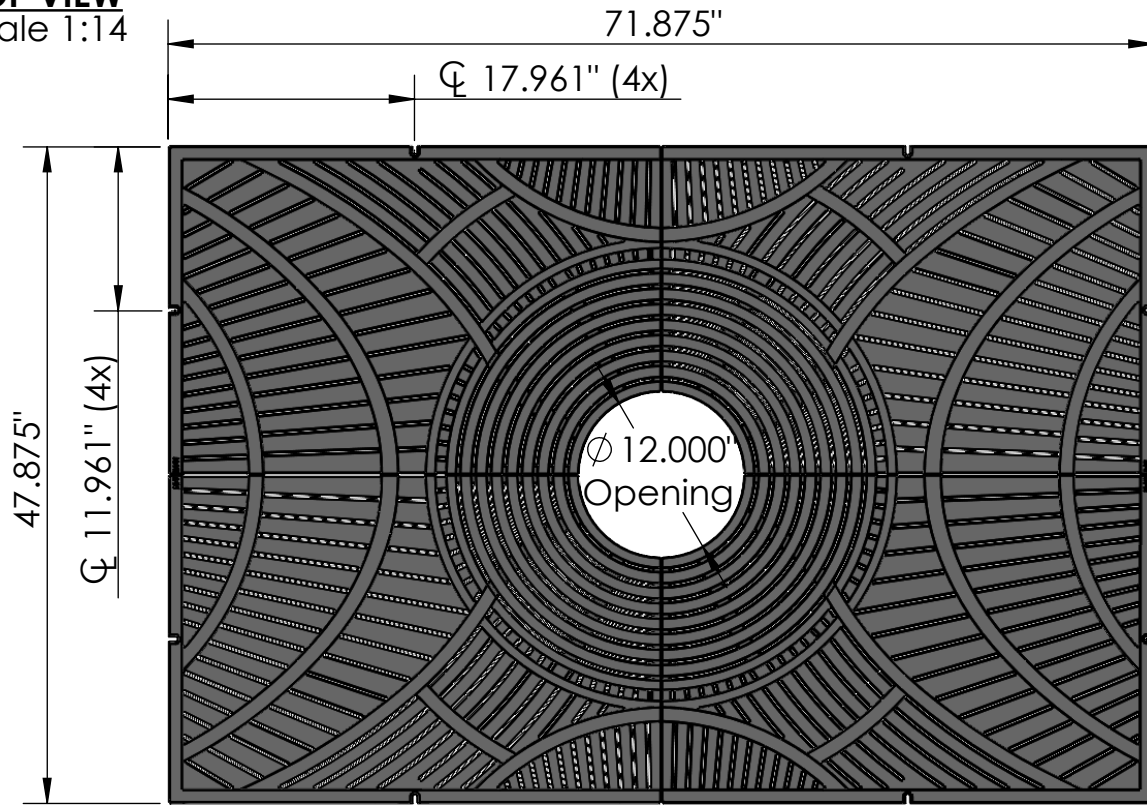
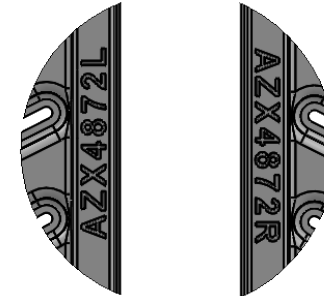


TOP VIEW
scale 1:14

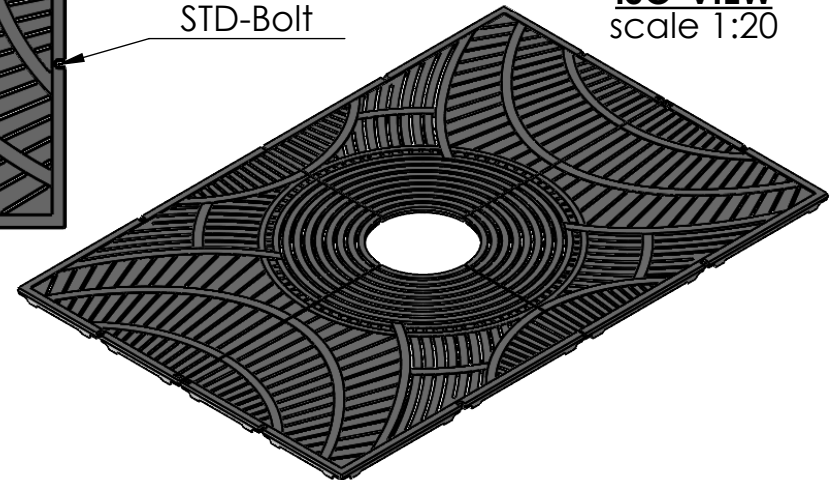


CASTING-ID
scale 1:3

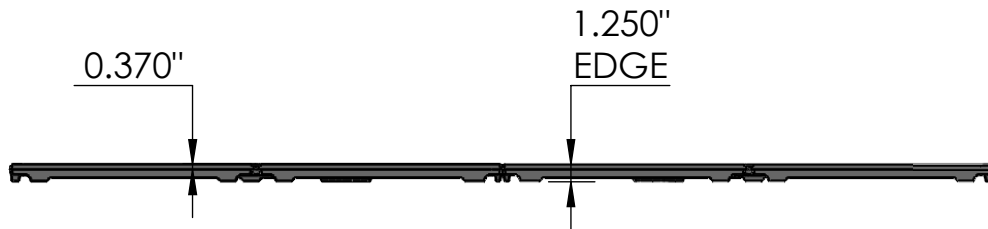


1/4"-20 (8x)
Pan Head
STD-Bolt

ISO-VIEW
scale 1:20



SIDE VIEW
scale 1:14



NOTES:

1. Heelproof: No thru openings greater than 1/4".
2. Pieces per Set: 4
3. Due to casting inconsistencies, all dimensions are nominal.
4. Opening Options:
Cast at 12" & 30", Breakouts at 16" & 20" Breakout Rings.
5. Pedestrian Load Only.

Made in USA

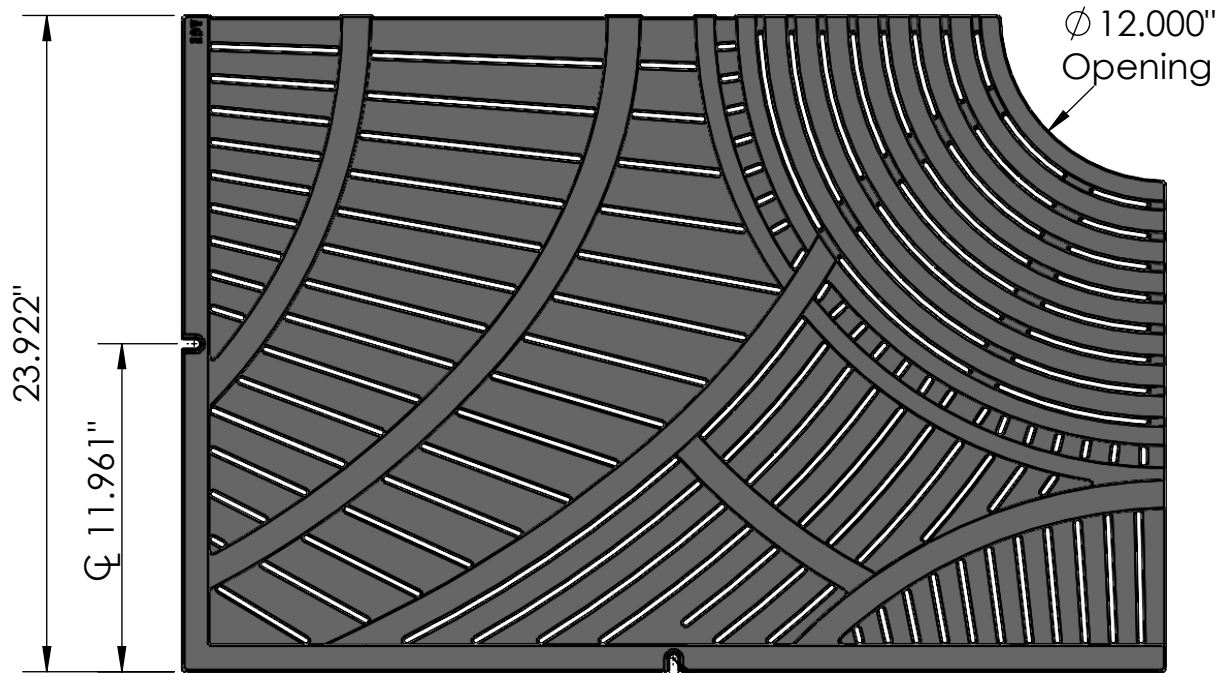
©2015 Iron Age Designs

Arizona 4' x 6' Tree Grate Heel Proof

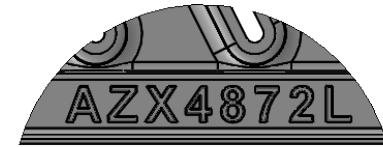


Material: Cast Iron CL35 or better	Weight: 347.16 lbs.	Free Drain Area: 335.50 in/sq. 10.09 %	By: MS	Checked: MS	Date: 7-17-24
Finish: Raw	Edge: 1.250"	Flow Rate: 439.50 GPM	© Registration: VA 1-970-787		Scale: NTS
Fits: Iron Age Custom Frame SOLD SEPARATELY	Product ID: AZX4872I99TGHP	Drawing Name: 04_ARZ_I_48x72HP_TreeGrate_Comp			

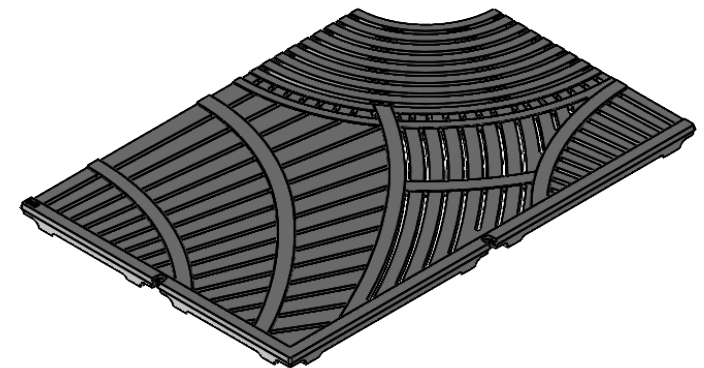
TOP VIEW
scale 1:7



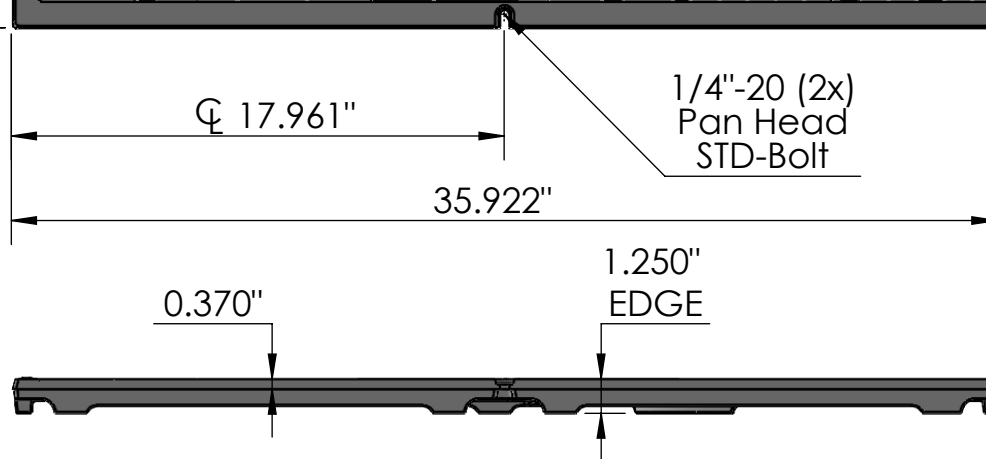
CASTING-ID
scale 1:2



ISO-VIEW
scale 1:12



SIDE VIEW
scale 1:7



NOTES:

1. Heelprof: No thru openings greater than 1/4".
2. Due to casting inconsistencies, all dimensions are nominal.
3. Pedestrian Load Only.

Made in USA

©2015 Iron Age Designs

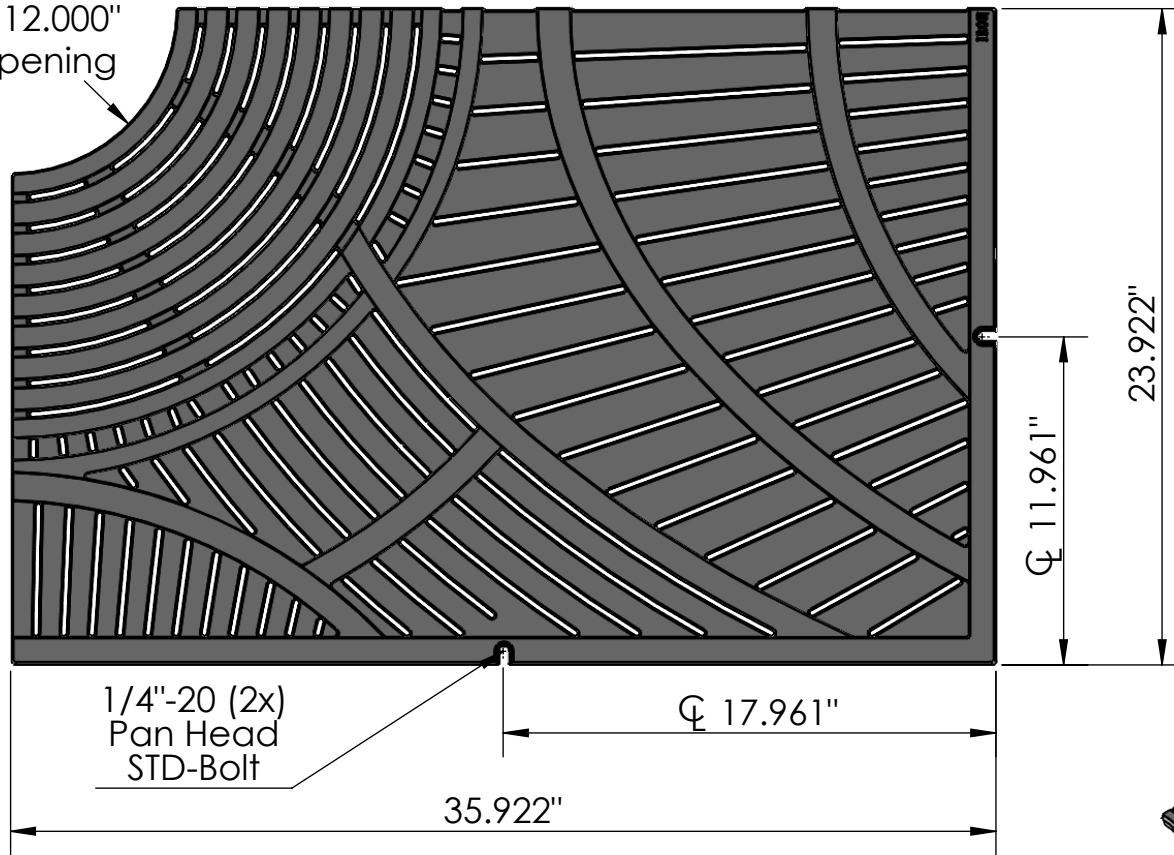
Arizona 4' x 6' Tree Grate Heel Proof - Left Quarter Panel



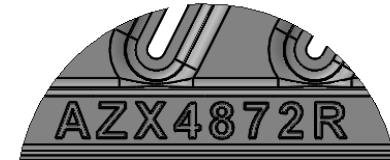
Material: Cast Iron CL35 or better	Weight: 86.79 lbs.	Free Drain Area: 83.87 in/sq. 10.09 %	By: MS	Checked: MS	Date: 7-17-24
Finish: Raw	Edge: 1.250"	Flow Rate: 109.87 GPM	© Registration: VA 1-970-787		Scale: NTS
Fits: Iron Age Custom Frame SOLD SEPARATELY	Product ID: AZX4872I99TGHP	Drawing Name: 04_ARZ_I_48x72HP_TreeGrate_Comp			

TOP VIEW
scale 1:7

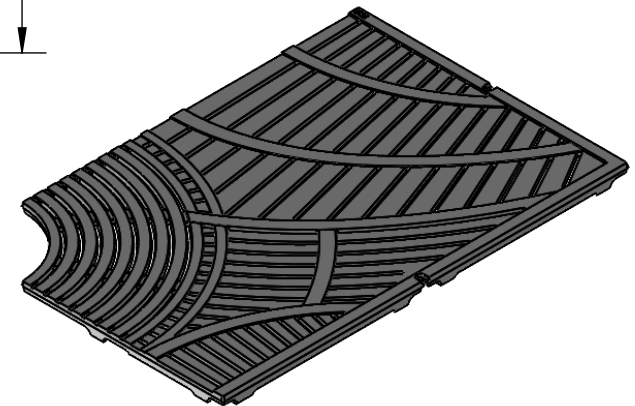
Ø 12.000"
Opening



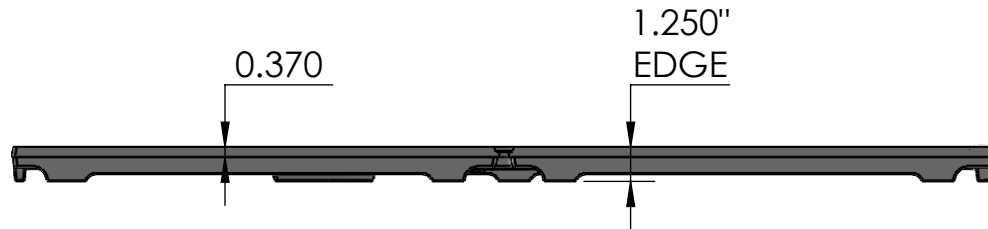
CASTING-ID
scale 1:2



ISO-VIEW
scale 1:12



SIDE VIEW
scale 1:7



NOTES:

1. Heelprof: No thru openings greater than ¼".
2. Due to casting inconsistencies, all dimensions are nominal.
3. Pedestrian Load Only.

Made in USA

©2015 Iron Age Designs

Arizona 4' x 6' Tree Grate Heel Proof - Right Quarter Panel



Material: Cast Iron CL35 or better	Weight: 86.79 lbs.	Free Drain Area: 83.87 in/sq. 10.09 %	By: MS	Checked: MS	Date: 7-17-24
Finish: Raw	Edge: 1.250"	Flow Rate: 109.87 GPM	© Registration: VA 1-970-787		Scale: NTS
Fits: Iron Age Custom Frame SOLD SEPARATELY	Product ID: AZX4872I99TGHPR	Drawing Name: 04_ARZ_I_48x72HP_TreeGrate_Comp			